

CORNING

Centrix™ System Stubbed Housing Installation

P/N 003-951
Issue 4

related literature | Search www.corning.com/opcomm. Click on “Resources/Standard Recommended Procedures.”

003-948	Centrix System Housing Installation
003-949	Centrix System Pigtailed Housing with Pigtailed Cassette Installation
003-950	Centrix System Frame Installation
003-959	Centrix System Splitter/CWDM Cassette Installation
003-960	Centrix System Jumper Routing Guidelines
003-961	Centrix System Accessories Installation

1. Carton Contents
 - Centrix™ System stubbed housing
2. Tools and Materials Required
 - Flat-tipped and Phillips screwdrivers
3. Determine Mounting Location for Housing

Step 1: Determine mounting location for the housing and locate the appropriate opening in the rail for the cage nut installation (Figure 1).

- If cable enters at the top of the frame, begin installing housings at the bottom of the frame.
- If cable enters at the bottom of the frame, begin installing housings at the top of the frame.

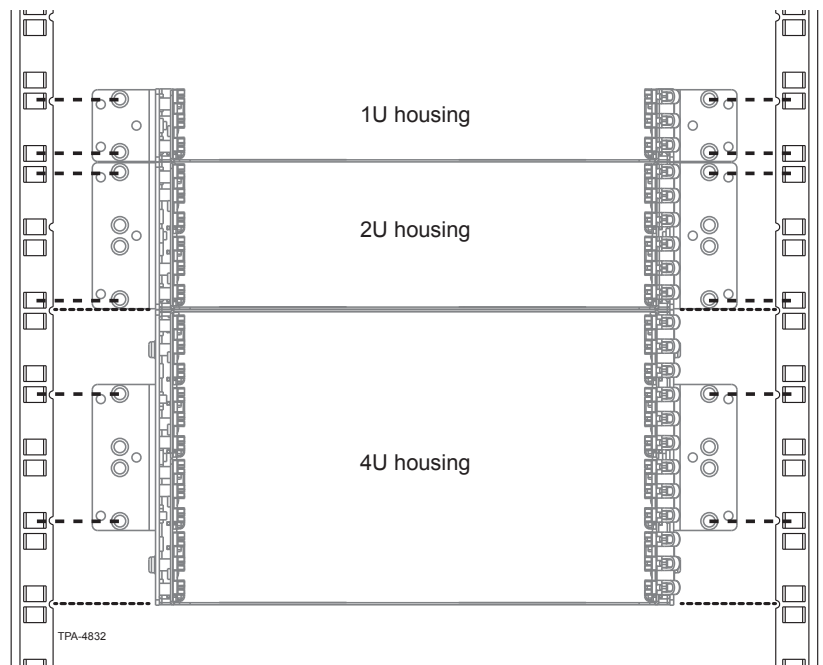
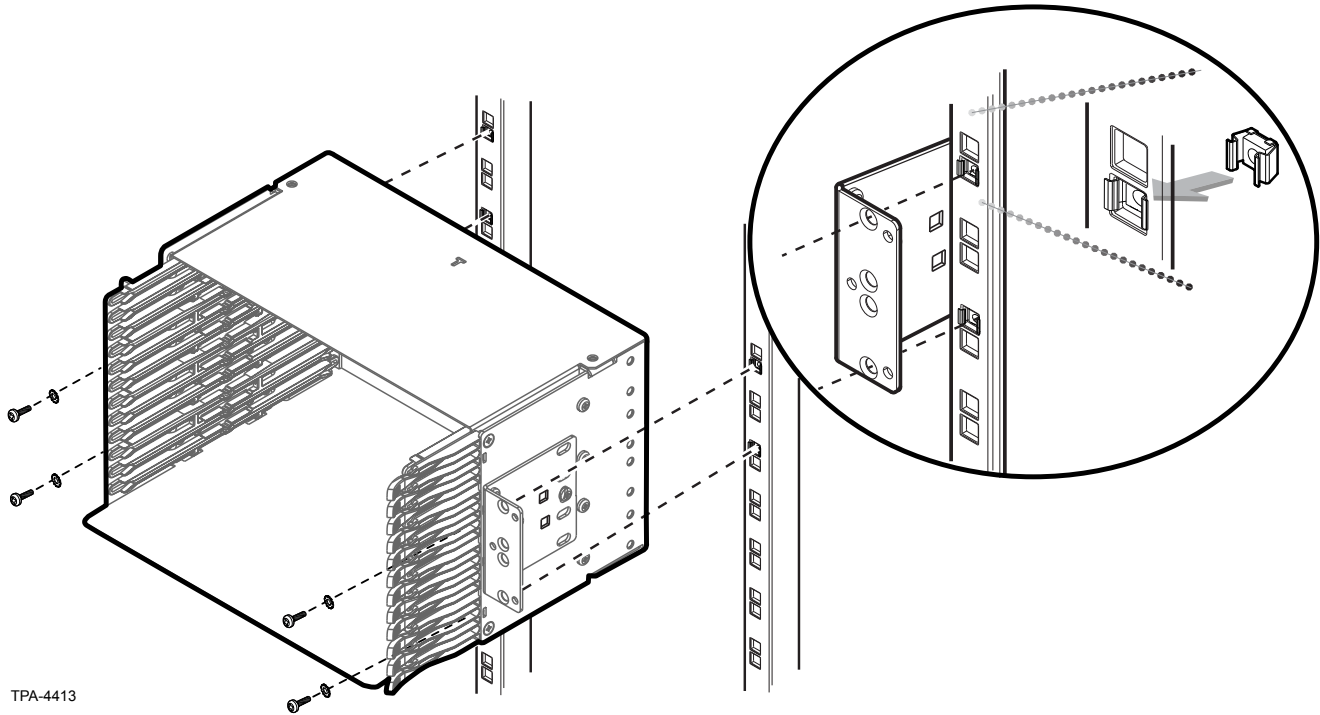


Figure 1

Step 2: Insert each cage nut into the rail from behind (Figure 2) at the distances determined in Step 1. Tilt one side of the cage nut into the opening and press the other side into the opening with a flat-tipped screwdriver. Ensure that the cage nut clicks into place.



TPA-4413

Figure 2

4. Installing Rear Cable Entry Stubbed Housing



CAUTION: Fiber optic cable is sensitive to excessive pulling, bending, and crushing forces. Consult the cable specification sheet for the cable you are installing. Do not bend the cable more sharply than the minimum recommended bend radius. Do not apply more pulling force to the cable than specified. Do not crush the cable or allow it to kink. Doing so may cause damage that can alter the transmission characteristics of the cable; the cable may have to be replaced.

4.1 Rear Cable Entry from Above the Frame

- Step 1:** Following the instructions provided with the reel, pull the cable from the reel.
- Step 2:** Feed the cable up through the opening to the top of the frame (Figure 3).
- Step 3:** Beginning at the bottom of the frame, install the first housing (Figure 3).
- Step 4:** Secure the mounting brackets with two screws on each side.
- Step 5:** Repeat all steps for additional housings.

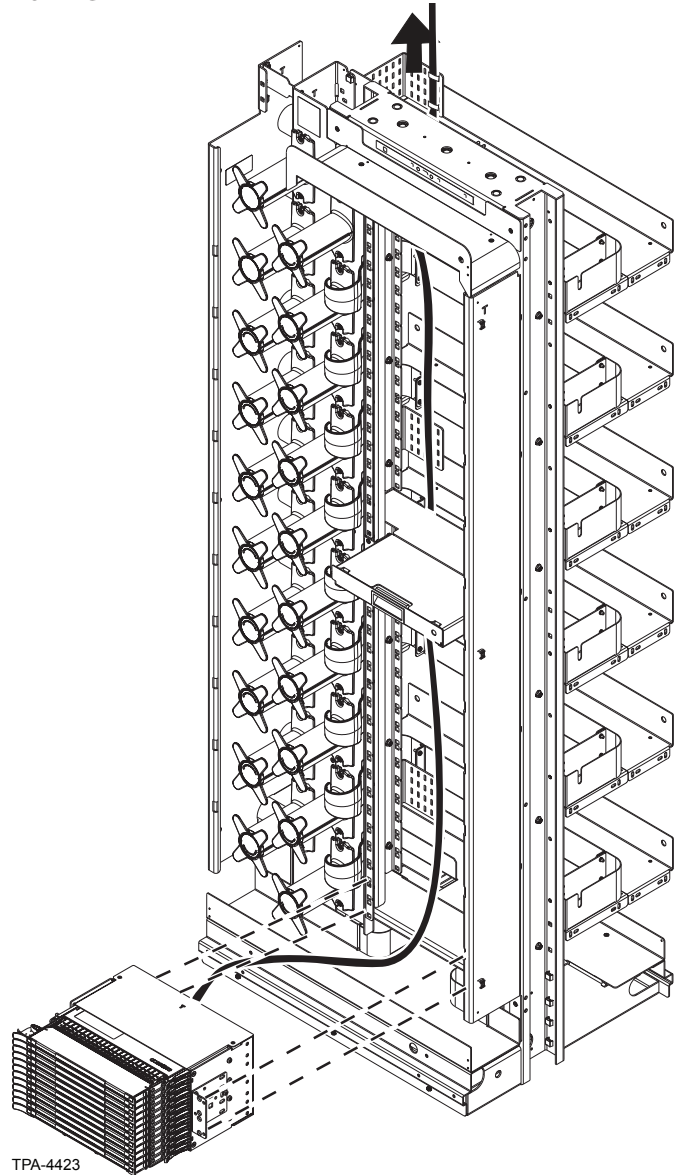


Figure 3

NOTE: To ease installation of cable behind the frame, the rear troughs can be removed as shown in Figure 4.

- a. Pull out the plungers on each side of the trough.
- b. Lift the trough's hanging tabs up and pull the trough toward you.
- c. Remove the trough and set it aside

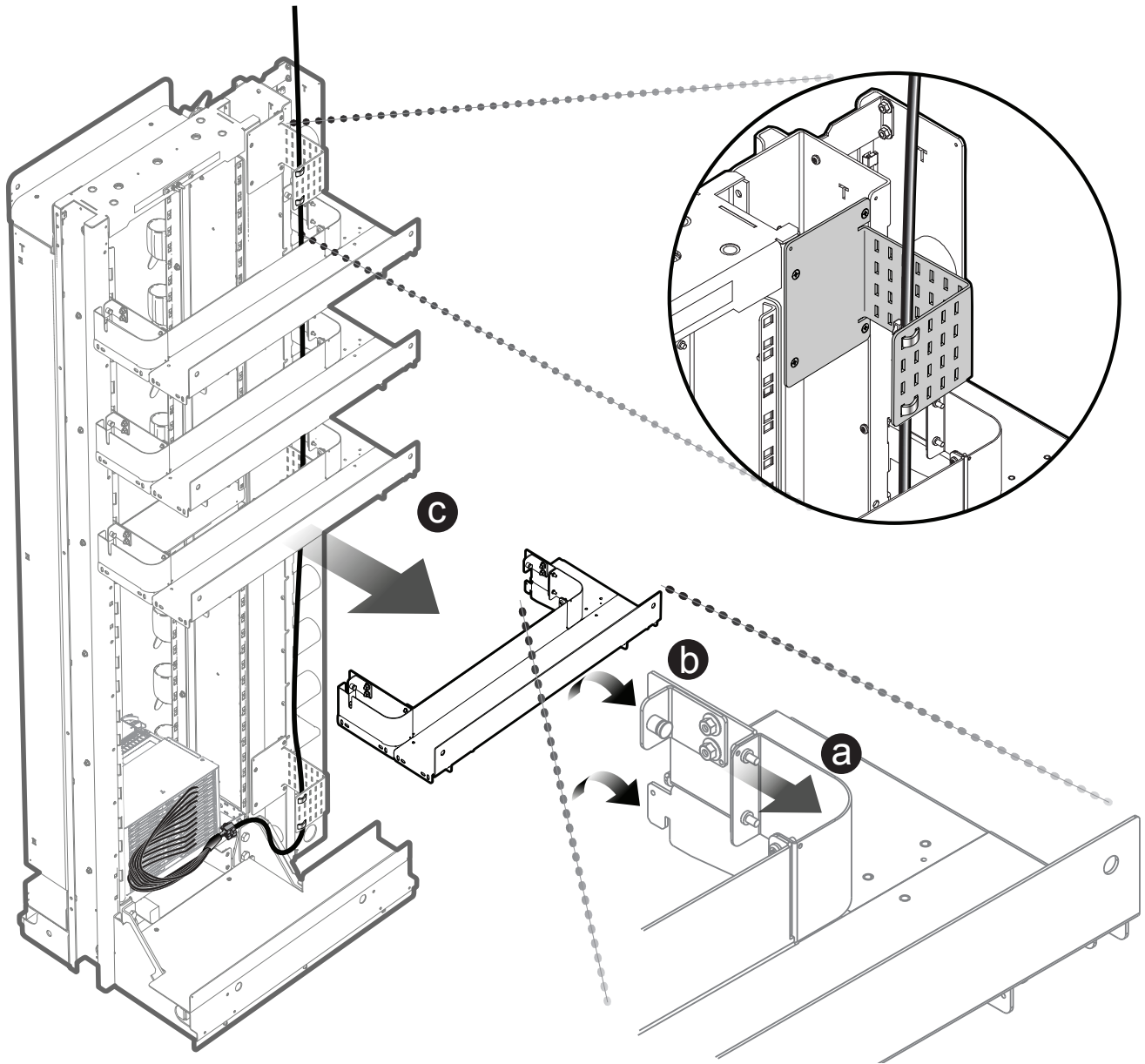


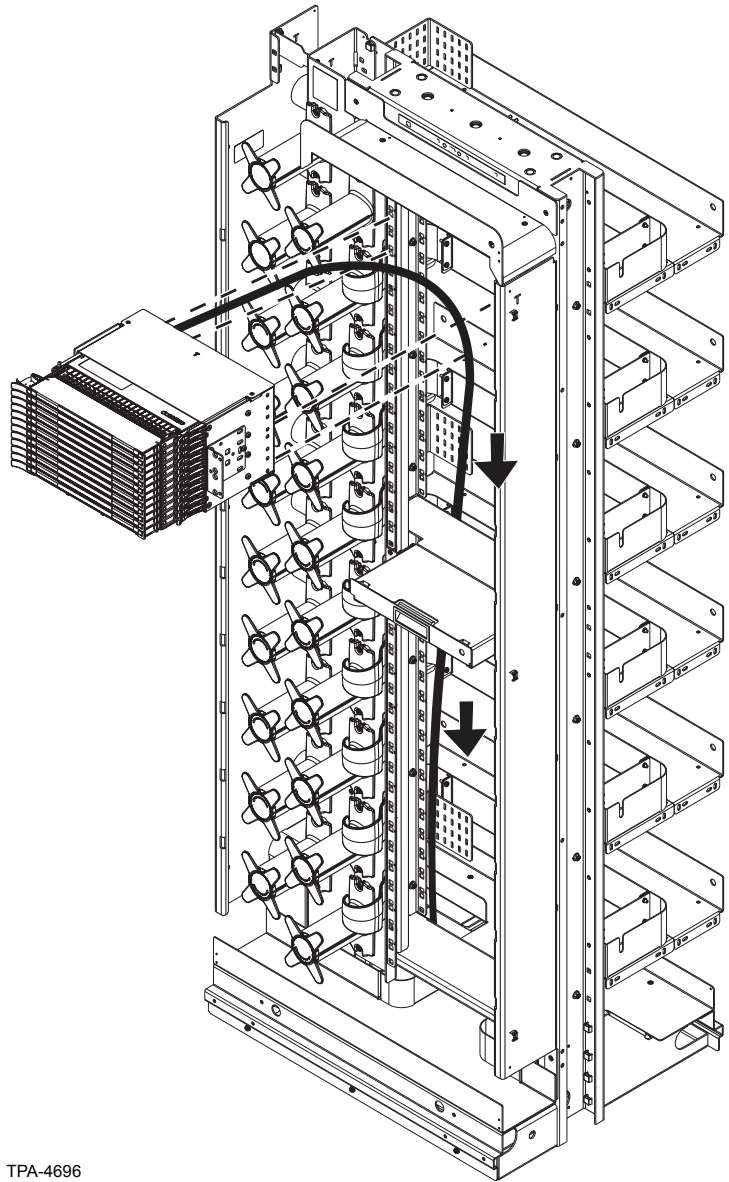
Figure 4

Step 6: In the rear of the frame, organize the cables by securing them to the brackets at the top of the frame with cable ties.

Step 7: If troughs were removed, reinstall them after organizing the cables.

4.2 Rear Cable Entry from Below the Frame

- Step 1:** Following the instructions provided with the reel, pull the cable from the reel.
- Step 2:** Feed the cable down through the opening to the bottom of the frame (Figure 5).
- Step 3:** Beginning at the top of the frame, install the first housing (Figure 5).
- Step 4:** Secure the mounting brackets with two screws on each side.
- Step 5:** Repeat all steps for additional housings.

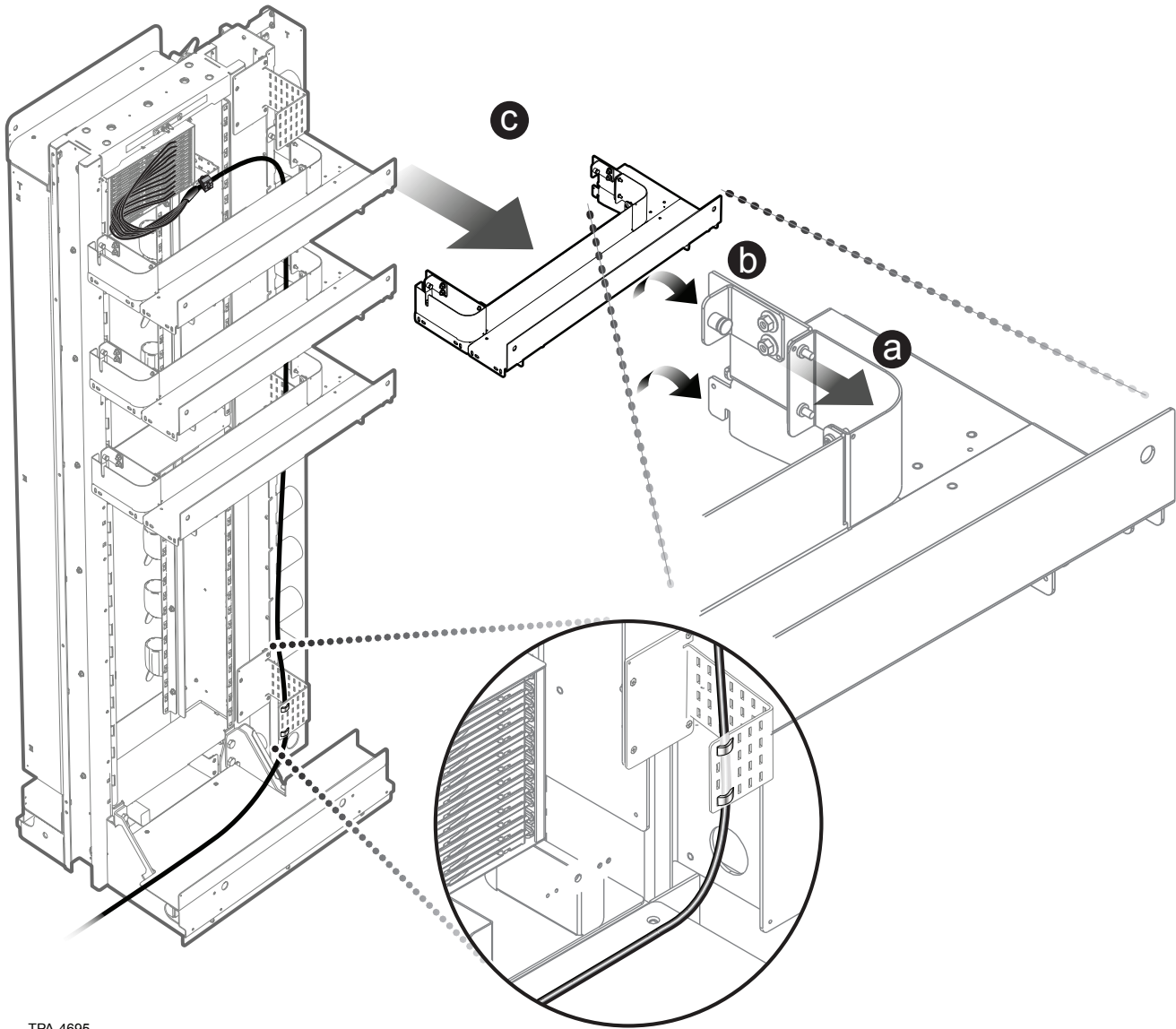


TPA-4696

Figure 5

NOTE: To ease installation of cable, the rear troughs can be removed as shown in Figure 6.

- b. Pull out the plungers on each side of the trough.
- c. Lift the trough's hanging tabs up and pull the trough toward you.
- d. Remove the trough and set it aside



TPA-4695

Figure 6

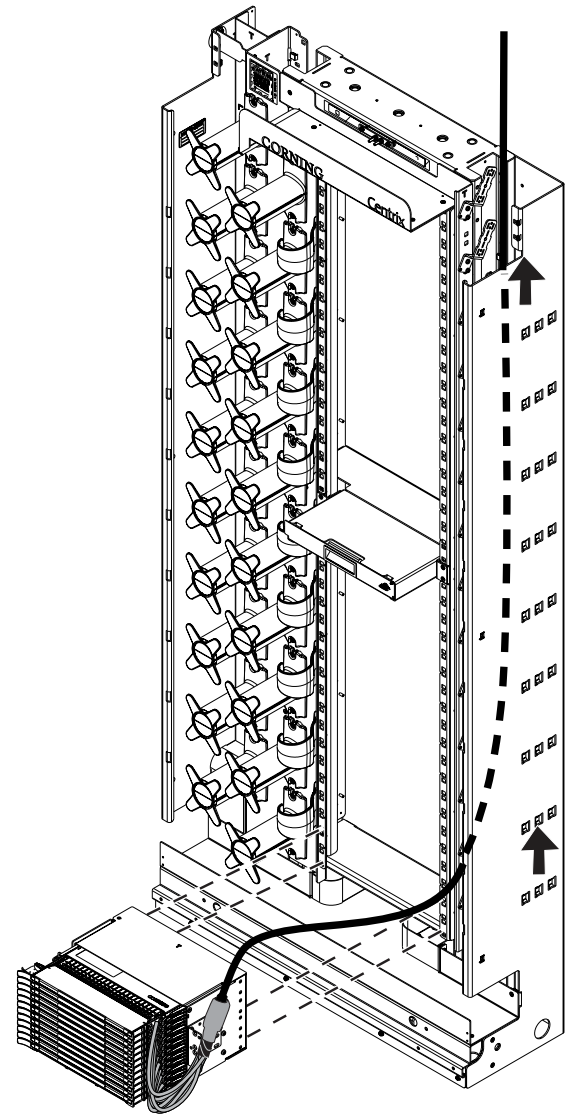
Step 6: In the rear of the frame, organize the cables by securing them to the brackets at the bottom of the frame with cable ties.

Step 7: If troughs were removed, reinstall them after organizing the cables.

5. Installing Front Cable Entry Stubbed Housing

5.1 Front Cable Entry from Above the Frame

- Step 1:** Following the instructions provided with the reel, pull the cable from the reel.
- Step 2:** Feed the cable up through the side channel to the top of the frame (Figure 7).
- Step 3:** Beginning at the bottom of the frame, install the first housing (Figure 7).
- Step 4:** Secure the mounting brackets with two screws on each side.
- Step 5:** Repeat all steps for additional housings.



TPA-4818

Figure 7

Step 6: As distribution cables exit the frame, organize them on the lances appropriate for the cable entry location (Figure 8).

- For top cable entry, organize cable at the lances near the top of the frame.
- For bottom cable entry, organize cable at the lances near the bottom of the frame.

Organize cables - front cable access

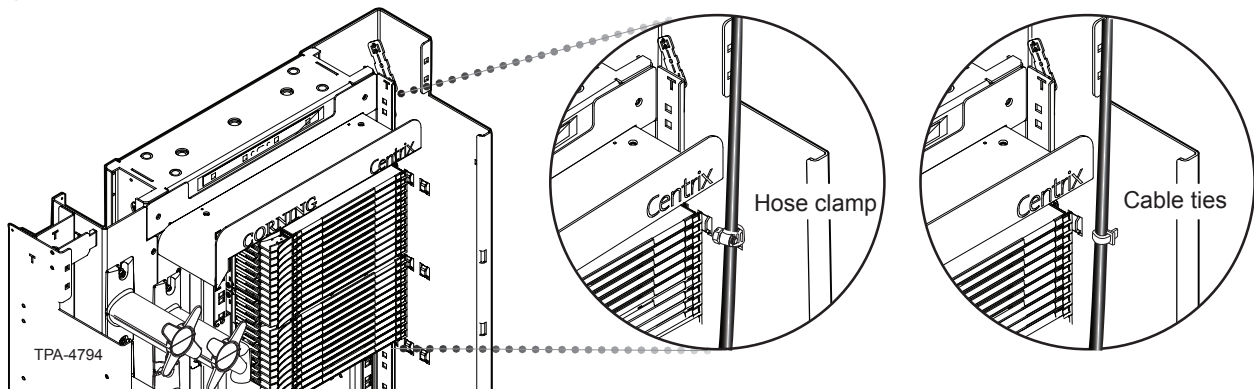


Figure 8

5.2 Front Cable Entry from Below the Frame

- Step 1:** Following the instructions provided with the reel, pull the cable from the reel.
- Step 2:** Feed the cable down through the side channel to the bottom of the frame (Figure 9).
- Step 3:** Beginning at the top of the frame, install the first housing (Figure 9).
- Step 4:** Secure the mounting brackets with two screws on each side.
- Step 5:** Repeat all steps for additional housings.

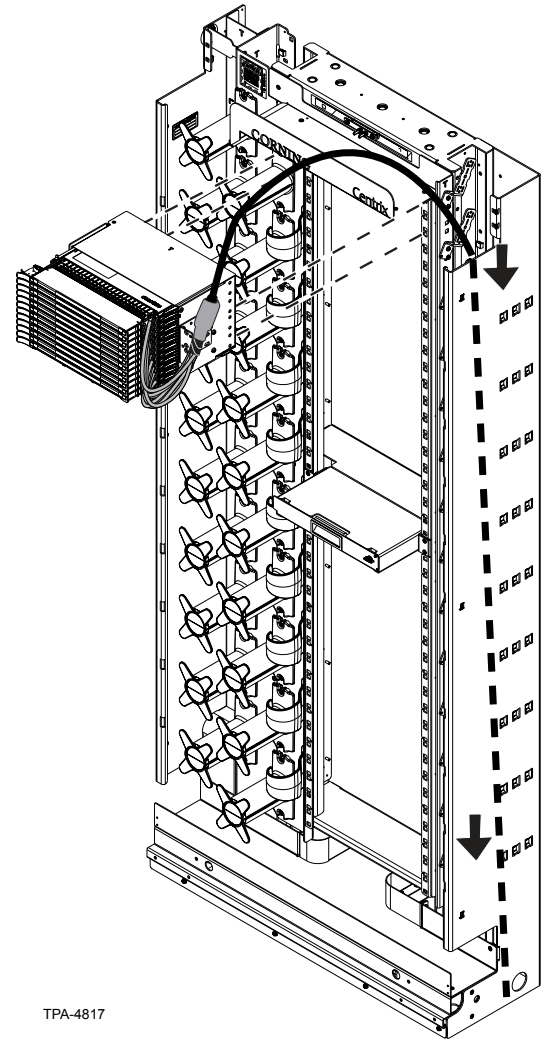


Figure 9

- Step 6:** As distribution cables exit the frame, organize them on the lances appropriate for the cable entry location (Figure 8).
- For top cable entry, organize cable at the lances near the top of the frame.
 - For bottom cable entry, organize cable at the lances near the bottom of the frame.